



G-PROJECT™

# G-BUZZ

PORTABLE ALARM CLOCK



Dual Alarm



FM Radio



Wake-up Sounds



USB Phone Charger

G-1CR



G-PROJECT™

# Welcome

Alarm clocks can be boring. Get ready to shake things up with your new G-BUZZ. Slap the snooze for more ZZZ's or shake to stop the alarm. Try out the custom sounds we made to put you to sleep and wake you up. Pick your favorite to start the day, because you can't get out and play unless you get out of bed first.

If you need a hand using your new G-BUZZ, we're here to help. Email us at [support@gprojectgear.com](mailto:support@gprojectgear.com) or give us a call at 1-855-896-1795 between 6AM - 6PM PST.

## **PACKAGE CONTENTS:**

- G-BUZZ Portable Alarm Clock
- AC Power Adapter
- User Guide

## STOP BY AND SAY HELLO TO US:



[facebook.com/gprojectgear](https://facebook.com/gprojectgear)



[twitter.com/gprojectgear](https://twitter.com/gprojectgear)



[instagram.com/gprojectgear](https://instagram.com/gprojectgear)

## A NEW SONG EVERYDAY:



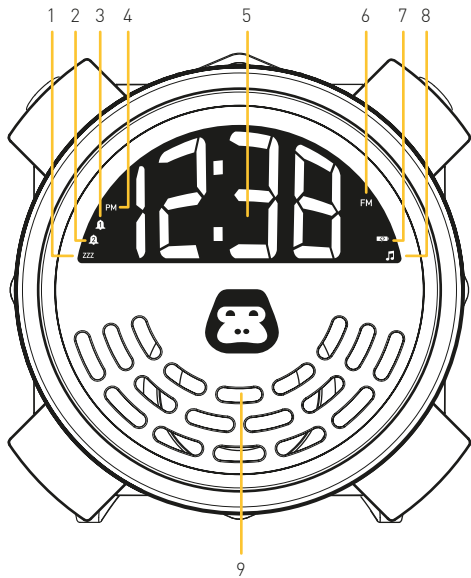
We've got a new song for you everyday and a collection of playlists to get you going.

Have a listen at [songs.gprojectgear.com](https://songs.gprojectgear.com)



G-PROJECT™

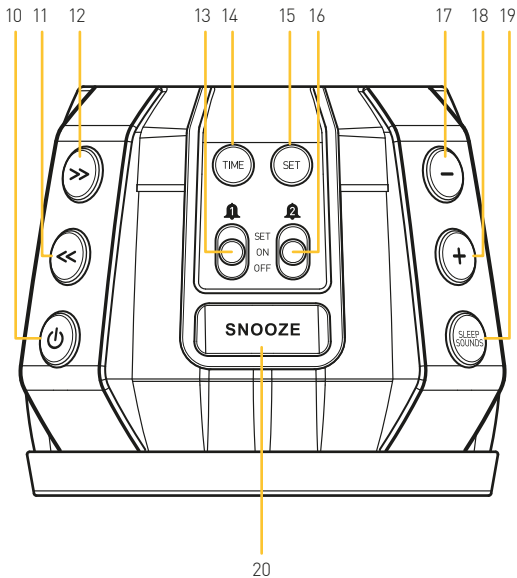
1. SNOOZE Indicator
2. ALARM 2 Indicator
3. ALARM 1 Indicator
4. 'PM' Indicator
5. LED Display
6. 'FM' Indicator
7. Low Battery Indicator
8. SOUND Indicator
9. Speaker



# G-BUZZ

PORTABLE ALARM CLOCK

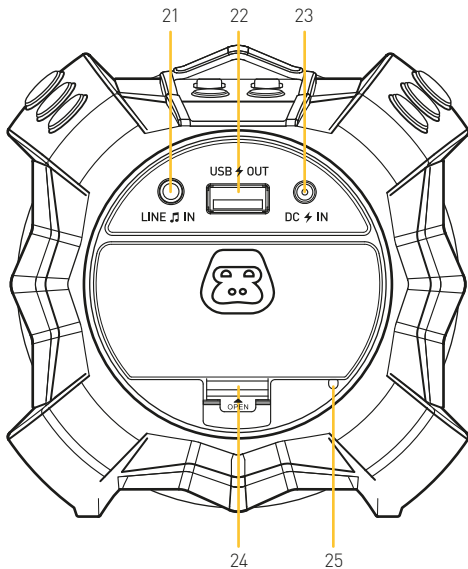
- 10. POWER Button
- 11. REVERSE Button
- 12. FORWARD Button
- 13. ALARM 1 Switch
- 14. TIME Button
- 15. SET Button
- 16. ALARM 2 Switch
- 17. VOLUME - Button
- 18. VOLUME + Button
- 19. Sleep Sounds Button
- 20. SNOOZE / SLEEP





G-PROJECT™

- 21. Line In Jack
- 22. USB Charging Port
- 23. DC In Jack
- 24. Battery Compartment
- 25. FM Antenna Wire



## WAKE-UP SOUNDS

Choose from a set of four custom alarm sounds get you out of bed.



Rooster



Bells



Foghorn



Drum

## SLEEP SOUNDS

Relax to four different soothing sounds while you drift off to sleep.



Ocean  
Waves



White  
Noise



Owl



Crickets

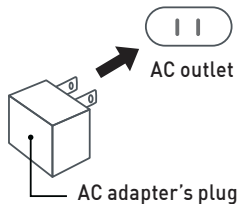


G-PROJECT™

## AC POWER SOURCE

Connect the supplied AC adaptor (DC 5V 1.8A) to the DC In jack on the back of G-BUZZ and plug the other end into a standard wall outlet (100-240V 50-60Hz).

**NOTES:** Disconnect both ends of the power cord when not in use. Use only the supplied AC adaptor with the following specs: AC In - 100-240V AC, 50/60Hz / DC Out - 5V 1.8A.



## INSTALLING THE BATTERIES

G-BUZZ can also be powered by four “AAA” batteries.

- Open the battery door on the back of your G-BUZZ.
- Insert four “AAA” batteries into the battery compartment, being careful to observe proper polarity.
- Replace the battery door and snap closed.



## USB CHARGING PORT

G-BUZZ includes a USB port located on the back of the unit. This USB port supports powering and supports charging mobile phones and other compatible USB powered accessories when G-BUZZ is plugged with the included AC adaptor. (USB cable sold separately).

## POWER SAVE MODE

When in battery mode, G-BUZZ will automatically power down in 3 minutes after pressing the POWER button. This is designed to extend the life of the batteries while traveling or when an AC power source is not available.

- To exit Power Save Mode, press any button while the LED display is illuminated and G-BUZZ will return to normal operation.
- With Power Save Mode On, the LED display only illuminates the current time and will automatically power down after 3 minutes. Pressing the POWER button once while in Power Save Mode will wake the G-BUZZ and display the current time.
- With Power Save Mode Off, the LED display is illuminated at all times.



G-PROJECT™

## INITIAL CLOCK SETUP

- 1 Using the supplied AC power adapter, plug G-BUZZ into an AC power source or install four "AAA" batteries.
- 2 With G-BUZZ in STANDBY mode, the LED display will begin flashing the default time of "12:00".
- 3 Press the << button repeatedly to select the current hour and press the >> button repeatedly to select the current minute.
- 4 Press the TIME button to save the new clock setting.

## RESETTING THE TIME

- 1 Make sure G-BUZZ is powered off, in STANDBY mode.
- 2 Press and hold the TIME button until the display begins to flash.
- 3 Press the << button repeatedly to select the current hour, then press the >> button repeatedly to select the current minute.
- 4 Press the TIME button again to save the new clock setting.

## ADJUSTING THE BRIGHTNESS

There are three levels of display brightness available (the default setting is High).

- 1 To change the brightness setting, make sure G-BUZZ is powered off.
- 2 Press the **+** or **-** button repeatedly to cycle through and select the desired brightness level.

## AUX-IN CONNECTION

- 1 Insert one end of a 3.5mm audio cable (not included) into the LINE OUT jack on your external audio source (e.g. iPad, iPod, mobile phone, MP3 player, digital media player, etc.), then insert the other end into the LINE IN jack on rear of G-BUZZ.
- 2 Power on G-BUZZ, then power on the external audio source. The display will show "AUX" briefly then change to the current clock time.
- 3 Select the music you want to listen to and press play on the external audio source. Playback will begin and sound will be heard through G-BUZZ.



G-PROJECT™

## PLAYING THE RADIO

Pressing the POWER button will turn on G-BUZZ and enter RADIO mode. Choose from the three tuning modes available for selecting radio stations.

- 1 PRESET Mode** – Press the SET button repeatedly to select the desired preprogrammed station numbered P01 – P10 ( See “SETTING RADIO PRESETS” to program your favorite stations).
- 2 SCANNING Mode** – Press and hold the << or >> button to scan through the stations; scanning starts from the current station and stops at the next strongest station received.
- 3 MANUAL Mode** – Repeatedly press the << or >> button to manually tune into a specific station.

**NOTE:** Unravel and extend the FM wire antenna to receive the best FM reception.

## SETTING RADIO PRESETS

- 1 With G-BUZZ in RADIO mode, tune to a favorite station to save.
- 2 Press and hold the SET button to create a preset for the current station. "P" will appear and the preset number "##" will blink on the display
- 3 Press the << or >> button to select a specific preset number (01-10). Press the SET button again to confirm the setting and the station will be saved into memory.
- 4 Repeat these steps to program up to 10 different presets stations.

## RECALLING RADIO PRESETS

With G-BUZZ in RADIO mode, repeatedly press the SET button until the desired preset number appears in the display and G-BUZZ tunes to the station.



G-PROJECT™

## SETTING THE ALARM

Alarms can be set with G-BUZZ is powered ON or in STANDBY mode.

- 1** Slide the ALARM 1 or ALARM 2 switch to "SET". The alarm time will begin to blink on the display.
- 2** **Setting Alarm Time** – Press the << button repeatedly to select the alarm hour, then press the >> button repeatedly to select the alarm minute. Press the "SET" button to confirm alarm time and enter alarm source mode.
- 3** **Setting Alarm Source** – There are six options for each alarm (FM Radio, buzzer and four unique sounds; Rooster, Bells, Foghorn or Drum). The default alarm source is FM Radio and uses the current station G-BUZZ is tuned to. Press the << or >> button repeatedly to select a different alarm source. Press the "SET" button to confirm alarm source.
- 4** **Setting Alarm Volume** – After confirming the alarm source, the display will blink the default alarm volume level. Press + or - button repeatedly to adjust and select the desired alarm volume.
- 5** **Saving Alarm Setting** – Slide the ALARM 1 or ALARM 2 switch to "ON" to save these alarm settings. The LED alarm indicator will appear on the display.

**NOTE:** The FM station can not be selected in alarm source mode and must be tuned prior to setting an alarm.

## SNOOZE

- 1 When the alarm sounds, press the SNOOZE / SLEEP button to delay the alarm from sounding again for 10 minutes.
- 2 You can increase the delay by an additional 10 minutes each time you press the SNOOZE / SLEEP button. The display will show the snooze duration for about 3 seconds then return to display the current time.
- 3 The maximum duration is 60 minutes and increases as follows:  
10 → 20 → 30 → 40 → 50 → 60

**NOTE:** Press the SNOOZE / SLEEP button to display the remaining delay time.

## TURNING OFF THE ALARM

When the alarm sounds there are two ways to turn off the alarm.

- 1 **Shake Mode** – When the alarm sounds, shake G-BUZZ to turn off the alarm. The alarm will automatically sound again the same time tomorrow.
- 2 **Manual Mode** – When the alarm sounds, slide the alarm switch to “OFF” to silence it. To reset the alarm to sound the next day, you must slide the alarm switch to “ON” again.

**NOTE:** G-BUZZ will sound for a maximum of 60 minutes if not turned off. The alarm will then stop and automatically sound again at the same time tomorrow.



G-PROJECT™

## SLEEP

Choose from four unique sounds; Ocean Waves, White Noise, Owl or Crickets

- 1 With G-BUZZ powered on, press SLEEP SOUND button to select a sleep sound for playback.
- 2 Press the << or >> button repeatedly to cycle through and select a playback sound.
- 3 If you want to set the sleep timer duration, you can increase the duration each time you press the SNOOZE / SLEEP button while sleep sound playback
- 4 The maximum duration is 90 minutes and increases as follows:  
15 → 30 → 60 → 90 → OFF
- 5 If you do not set the sleep timer duration, G-BUZZ will continue to play the sleep sound until you stop it.
- 6 To stop playback, press the SLEEP SOUND button again or shack G-BUZZ to turn off it.



## IMPORTANT SAFETY NOTIFICATIONS



**CAUTION:** TO REDUCE THE RISK OF ELECTRIC SHOCK, DO NOT REMOVE COVER (OR BACK). NO USER-SERVICEABLE PARTS INSIDE. REFER SERVICING TO QUALIFIED SERVICE PERSONNEL.



**DANGEROUS VOLTAGE:** The lightning flash with arrowhead symbol, within an equilateral triangle is intended to alert the user to the presence of uninsulated dangerous voltage within the product's enclosure that may be of sufficient magnitude to constitute a risk of electric shock to persons.



**ATTENTION:** The exclamation point within an equilateral triangle is intended to alert the user to the presence of important operating and maintenance (servicing) instructions in the literature accompanying the appliance.

**NOTE:** Any unapproved changes or modifications will void the warranty.



G-PROJECT™

**FCC WARNING:** This equipment may generate or use radio frequency energy. Changes or modifications to this equipment may cause harmful interference unless the modifications are expressly approved in the instruction manual. The user could lose the authority to operate this equipment if an unauthorized change or modification is made.

**NOTE:** This equipment has been tested and found to comply with the limits for a Class B digital device, pursuant to part 15 of the FCC Rules. These limits are designed to provide reasonable protection against harmful interference in a residential installation. This equipment generates, uses and can radiate radio frequency energy and, if not installed and used in accordance with the instructions, may cause harmful interference to radio communications. However, there is no guarantee that interference will not occur in a particular installation. If this equipment does cause harmful interference to radio or television reception, which can be determined by turning the equipment off and on, the user is encouraged to try to correct the interference by one or more of the following measures:

- Reorient or relocate the receiving antenna.
- Increase the separation between the equipment and receiver.
- Connect the equipment into an outlet on a circuit different from that to which the receiver is connected.
- Consult the dealer or an experienced radio/TV technician for help.

**Compliance information:** This device complies with Part 15 of the FCC Rules. Operation is subject to the following two conditions: (1) this device may not cause harmful interference, and (2) this device must accept any interference received, including interference that may cause undesired operation

**WARNING: TO PREVENT FIRE OR SHOCK HAZARD, DO NOT EXPOSE THIS UNIT TO RAIN OR MOISTURE.**

**SURGE PROTECTORS:** It is recommended to use a surge protector for AC connection. Lightning and power surges ARE NOT covered under warranty for this product.

This Class B digital apparatus complies with Canadian ICES-003. Cet appareil numérique de la classe B est conforme à la norme NMB-003 du Canada.

## SAFETY PRECAUTIONS

- a. Do not expose this unit or the AC/DC adaptor to dripping or splashing water. Keep liquid-filled objects, such as vases, away from this unit and AC/DC adaptor.
- b. Only use attachments / accessories specified by the manufacturer.
- c. Ensure that the AC/DC adaptor is easily accessible.
- d. Please note the information printed underneath the unit.
- e. Do not impede the ventilation of this unit by covering the ventilation openings with items such as newspapers, table-cloths, curtains, etc.
- f. Keep open flames, such as lighted candles, away from this unit.
- g. Do not place this unit in closed bookcases, racks, or other spaces without proper ventilation.
- h. Unplug this unit during lightning storms or when unused for long periods of time.
- i. This unit contains a built-in rechargeable battery. Disposal of these materials may be regulated due to environmental considerations. For disposal or recycling information, please contact your local authorities.
- j. Do not expose the battery to flames or dispose of it in a fire.



**G-PROJECT™**

G-Project is a registered trademark of Goodhatch, LLC  
G-BUZZ is distributed by Life Lab International LTD.