



G-PROJECT™

G-ZIP

WIRED TRAVEL SPEAKER



Universal
Compatibility



Rechargeable Battery
8 Hours Play Time



Retractable
Audio Cable



G-PROJECT™

Welcome to G-PROJECT™

Thanks for purchasing G-ZIP and joining G-Project. With just the right combination of performance, durability, features, and style at the right price, our goal is to provide rugged speakers and accessories that fit your lifestyle. We hope you agree.

For more info, please visit our website at [**www.enterG-project.com**](http://www.enterG-project.com)

PACKAGE CONTENTS:

- G-ZIP Wired Travel Speaker
- AC Power Adapter
- USB / Charging Cable
- User Guide

SAFETY PRECAUTIONS

- a. Read these instructions.
- b. Keep these instructions.
- c. Heed all warnings.
- d. Follow all instructions.
- e. Do not use this apparatus near water.
- f. Clean only with dry cloth.
- g. Do not block any ventilation openings. Install in accordance with the manufacturer's instructions.
- h. Do not install near any heat sources such as radiators, heat registers, stoves, or other apparatus (including amplifiers) that produce heat.
- i. Only use attachments / accessories specified by the manufacturer.
- j. Refer all servicing to qualified service personnel. Servicing is required when the apparatus has been damaged in any way, such as the power supply cord or plug is damaged, liquid has been spilled or object have fallen into the apparatus, the apparatus has been exposed to rain or moisture, does not operate normally, or has been dropped.
- k. Apparatus shall not be exposed to dripping or splashing.
- l. Do not place any sources of danger on top of the apparatus (e.g. liquid filled objects, lighted candles).



G-PROJECT™



WARNING:

- Never remove the casing of this apparatus.
- Never lubricate any part of this apparatus.
- Never place this apparatus on other electrical equipment.

NOTICE: This device complies with Part 15 of the FCC Rules. Operation is subject to the following two conditions:

1. this device may not cause harmful interference, and
2. this device must accept any interference received, including interference that may cause undesired operation.

This equipment has been tested and found to comply with the limits for a Class B digital device, pursuant to part 15 of the FCC Rules and ICES-003 of Industry Canada. These limits are designed to provide reasonable protection against harmful interference in a residential installation. This equipment generates, uses, and can radiate radio frequency energy and, if not installed and used in accordance with the instruction manual, may cause harmful interference to radio communications.

G-ZIP

WIRED TRAVEL SPEAKER

However, there is no guarantee that interference will not occur in a particular installation. If this equipment does cause harmful interference to radio or television reception, which can be determined by turning the equipment off and on, the user is encouraged to try to correct the interference by one or more of the following measures:

- Reorient or relocate the receiving antenna.
- Increase the separation between the equipment and receiver.
- Connect the equipment into an outlet on a circuit different from that to which the receiver is connected.
- Consult the dealer or an experienced radio/TV technician for help.

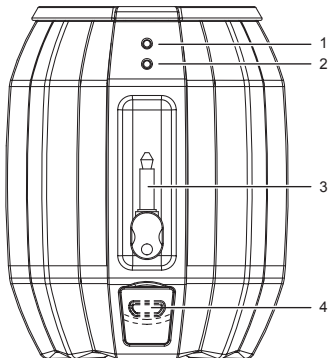
RF Radiation Exposure Statement: This equipment complies with FCC's and IC's RF radiation exposure limits set forth for an uncontrolled environment. The antenna(s) used for this transmitter must be installed and operated to provide a separation distance of at least 20 cm from all persons and must not be collocated or operating in conjunction with any other antenna or transmitter. Installers must ensure that 20cm separation distance will be maintained between the device (excluding its handset) and users.



G-PROJECT™

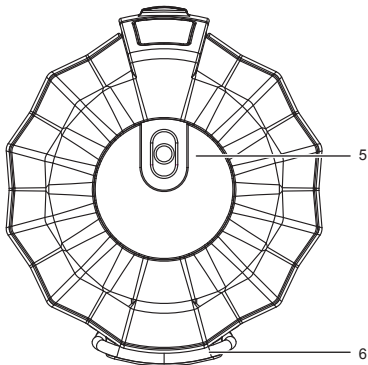
LOCATION OF CONTROLS

1. White Power LED
2. Red Charging LED
3. Line In Cable
4. USB Charging / AUX port



G-ZIP

WIRED TRAVEL SPEAKER



5. Function Switch
6. Metal Carry Clip

NOTE: Metal carry clip is used for easy carrying or hanging, not to be used for climbing, support or fall protection.



G-PROJECT™

POWER SOURCE

The G-ZIP can operate on the built-in rechargeable battery for up to 8 hours.

To recharge the built-in battery: Connect G-ZIP with your PC/MAC through the supplied USB Charging cable.

NOTE: The RED Charging LED indicator turns on while charging. The power indicator turns off when G-ZIP is fully charged.

LINE IN CONNECTION

- 1 Slide function switch towards AUX to select Aux-in audio source. The Power LED indicator will turn WHITE.
- 2 Connect G-ZIP with an external device through the supplied audio input plug.
- 3 Adjust the volume and navigate your audio content on your device.
- 4 After use, disconnect your device from the speaker and slide the switch to turn the speaker off.



G-PROJECT™

TROUBLESHOOTING

Issue	Solution
Distortion	Lower the volume on your G-ZIP and/or audio source
Not loud enough	Turn up the volume on your G-ZIP and/or audio source
No sound	Recharge the batteries using the included Power Adapter
	Adjust volume on your device
	Restart the speaker

G-ZIP

WIRED TRAVEL SPEAKER

SPECIFICATIONS

Power	2W RMS
Signal to Noise ratio	>70dB
Distortion	<1%
Aux-in Link	600 mV RMS, 10 kohm
Battery.....	3.7V, 500mAh, Rechargeable Li-Polymer
Battery Playback Time.....	Up to >8 hours
Power Adaptor AC Input	100-240V 50-60Hz
USB Jack DC Power Input	5V 500mA

NOTE: Specifications are subject to change without notice.



G-PROJECT™

For further assistance, please visit our website at ***www.enterG-project.com***
or contact customer service at ***support@enterG-project.com***
or ***1-855-896-1795***

Life Lab International Ltd.